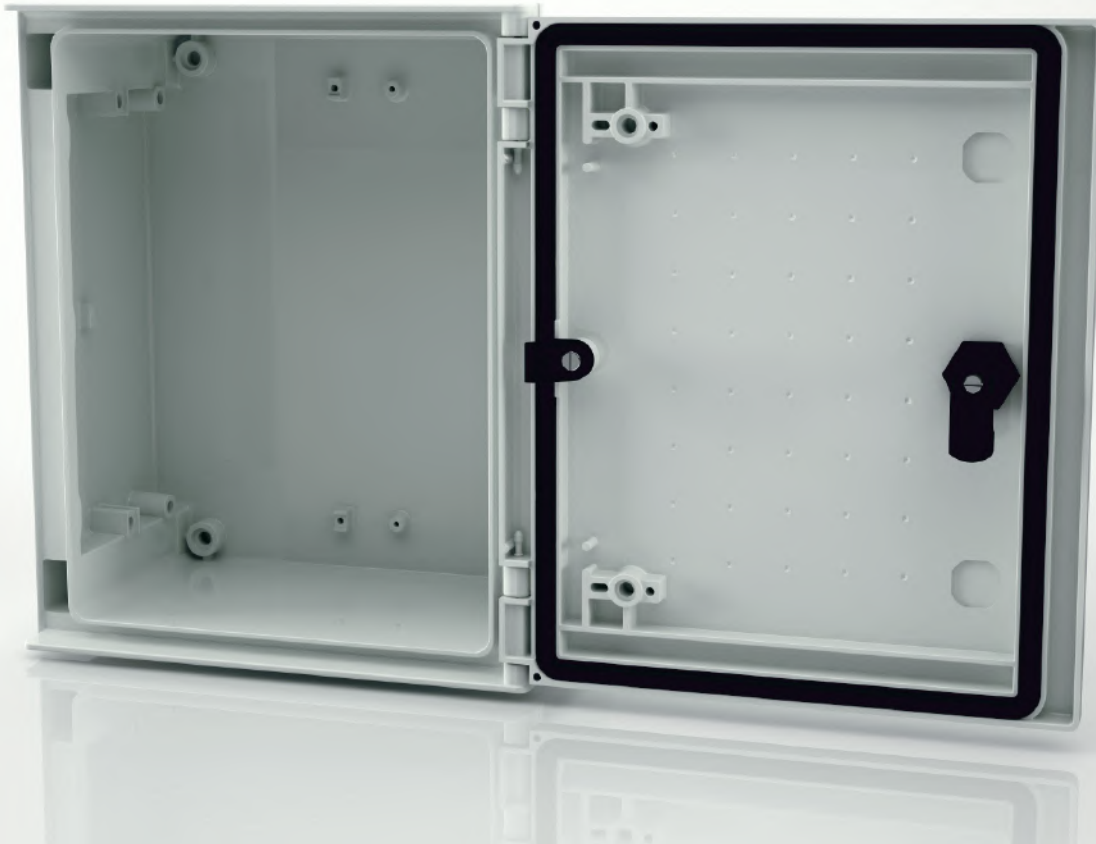
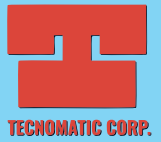


BRES-325-UL

Polyester enclosure 11,81 x 9,84 x 5,51 inches



FEATURES

SafyBox BRES

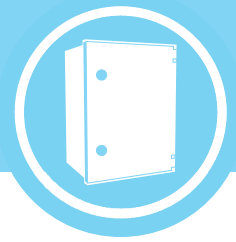
- Boxes & Cabinets made from fiber glass reinforced polyester, moulded by hot compression.
- Colour Light Grey RAL 7035 equivalent PANTONE Solid Coated 420 C.
- Self-extinguishability: 5VA. Halogen free. Double insulation. No electrical contact risks.
- Degree of protection UL/CSA certification: UL Types 1, 4, 4X & 12 and CSA 1, 4, 4X & 12.
- Certification of compliance UL508A & CSA C22.2. Suitable for indoor or outdoor use.
- Large door opening (180°). Version with plain or glazed door. Reversibility for installation right or left door opening.
- Anti-intruder hinges system.
- Customise service: colour, machining, mounting accessories, locks, company logo.
- 1 lock with double-bar insert or 1 lock with 3 action points and vandalism-proof.
- Version with metallic or polyester mounting plate.
- Resistant to harsh atmospheres.
- Light weight gives an easy installation.
- +10 years. Long life lasting without maintenance under standard environmental conditions.

Code	Description	Height x Width x Depth	Weight
BRES-325-UL	Empty standard enclosure colour light grey	11,81x9,84x5,51 in 300x250x140 mm	4,25 lb 1,93 kg

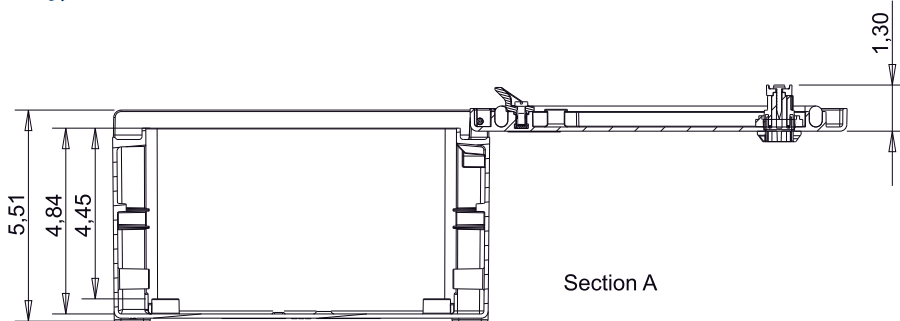


BRES-325-UL

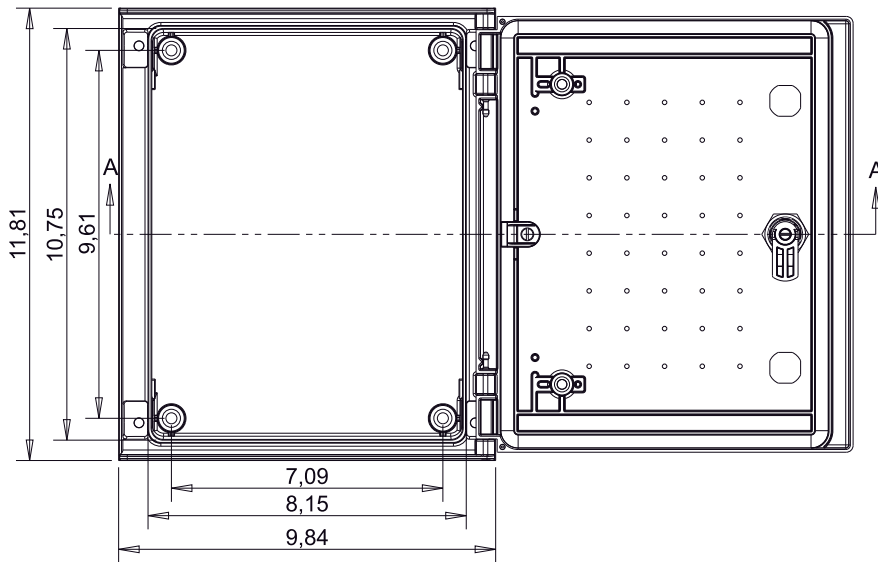
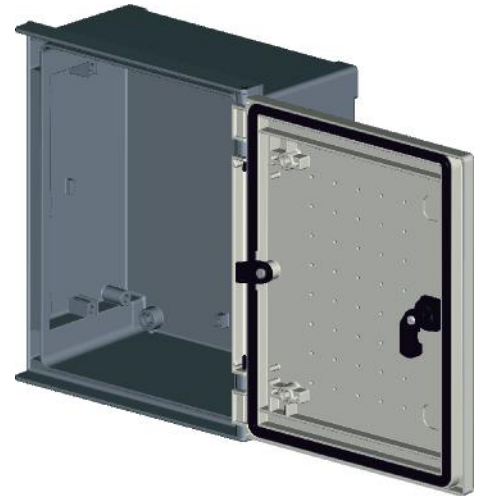
Polyester enclosure 11,81 x 9,84 x 5,51 inches



Standards



Section A



Packaging

packaging unit	1	packaging height	11,85 in	units per pallet 47,2x31,5 (h86,6)	130
number of doors	1	packaging width	9,88 in	units per pallet 43,3x43,3 (h86,6)	208
weight	4,25 lb	packaging depth	5,57 in	units per pallet 61,0x43,3 (h86,6)	270

Environmental performance

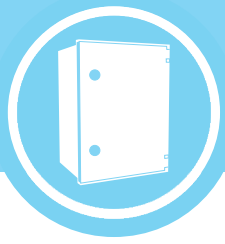
Minimum temperature	-22 °F	Fire test type UL-94	5VA
Maximum temperature	158 °F	IP dust water protection degree UL-50-50E	1,4,4X and 12
Compression resistance	220 lb	IK impact protection degree IEC-62262	10

Electrical performance

Nominal tension direct current up to:	1500 VdC
Nominal tension alternative current up to:	1000 VaC
Maximum power dissipation $\Delta T=104^{\circ}F$ (wall surface)	36,2 W

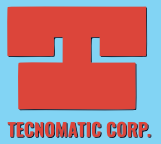
Installation and assembly system

Inside installation	Yes	Wall surface	Yes
Outdoor installation	Yes	Floor mounting	Yes
Flush mounting	No	Pole mounting	Yes



BRES-43-UL

Polyester enclosure 15,75 x 11,81 x 7,87 inches



FEATURES

SafyBox BRES

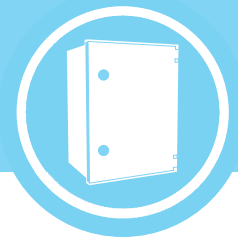
- Boxes & Cabinets made from fiber glass reinforced polyester, moulded by hot compression.
- Colour Light Grey RAL 7035 equivalent PANTONE Solid Coated 420 C.
- Self-extinguishability: 5VA. Halogen free. Double insulation. No electrical contact risks.
- Degree of protection UL/CSA certification: UL Types 1, 4, 4X & 12 and CSA 1, 4, 4X & 12.
- Certification of compliance UL508A & CSA C22.2. Suitable for indoor or outdoor use.
- Large door opening (180°). Version with plain or glazed door. Reversibility for installation right or left door opening.
- Anti-intruder hinges system.
- Customise service: colour, machining, mounting accessories, locks, company logo.
- 1 lock with double-bar insert or 1 lock with 3 action points and vandalism-proof.
- Version with metallic or polyester mounting plate.
- Resistant to harsh atmospheres.
- Light weight gives an easy installation.
- +10 years. Long life lasting without maintenance under standard environmental conditions.

Code	Description	Height x Width x Depth	Weight
BRES-43-UL	Empty standard enclosure colour light grey	15,75 x 11,81 x 7,87 in	7,94 lb
		400 x 300 x 200 mm	3,60 kg

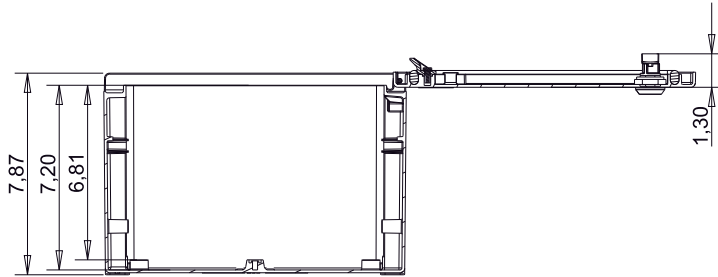


BRES-43-UL

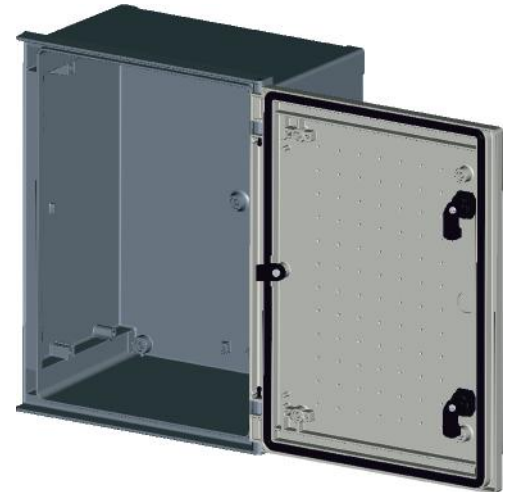
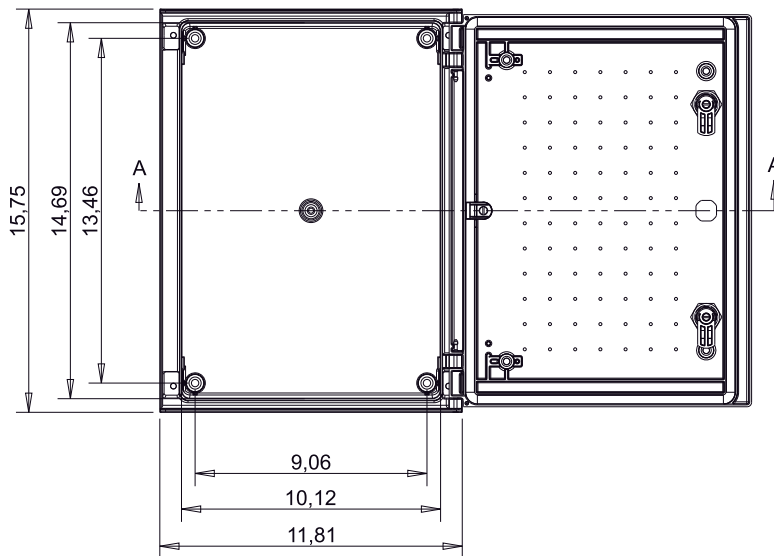
Polyester enclosure 15,75 x 11,81 x 7,87 inches



Standards



Section A



Packaging

packaging unit	1	packaging height	15,79 in	units per pallet 47,2x31,5 (h86,6)	66
number of doors	1	packaging width	11,85 in	units per pallet 43,3x43,3 (h86,6)	84
weight	7,94 lb	packaging depth	7,93 in	units per pallet 61,0x43,3 (h89,4)	119

Environmental performance

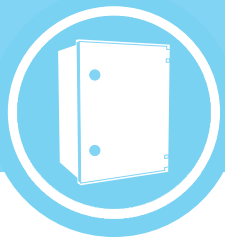
Minimum temperature	-22 °F	Fire test type UL-94	5VA
Maximum temperature	158 °F	IP dust water protection degree UL-50-50E	1,4,4X and 12
Compression resistance	220 lb	IK impact protection degree IEC-62262	10

Electrical performance

Nominal tension direct current up to:	1500 VdC
Nominal tension alternative current up to:	1000 VaC
Maximum power dissipation $\Delta T=104^{\circ}F$ (wall surface)	58,8 W

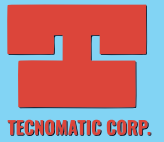
Installation and assembly system

Inside installation	Yes	Wall surface	Yes
Outdoor installation	Yes	Floor mounting	Yes
Flush mounting	No	Pole mounting	Yes



BRES-44-UL

Polyester enclosure 15,75 x 15,75 x 7,87 inches



FEATURES

SafyBox BRES

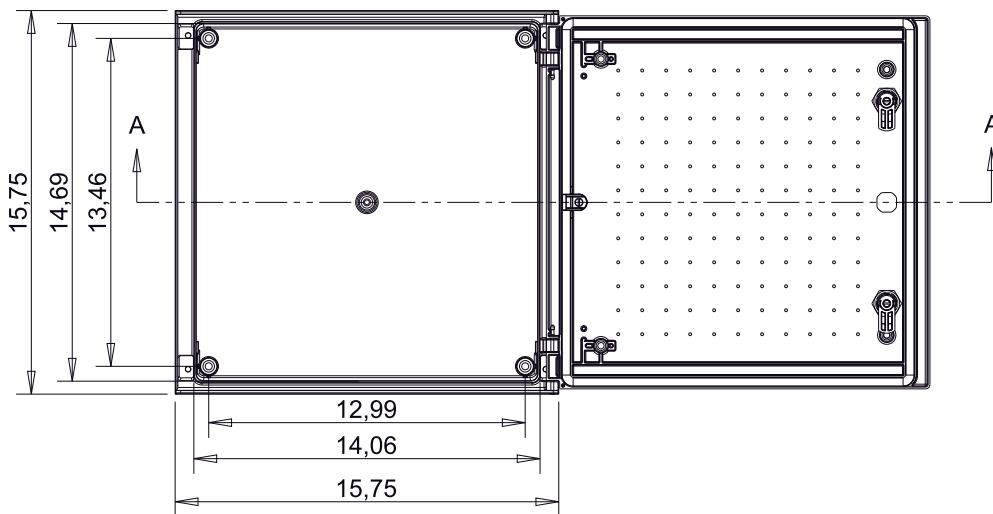
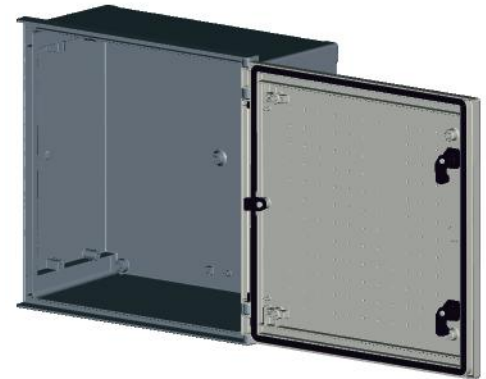
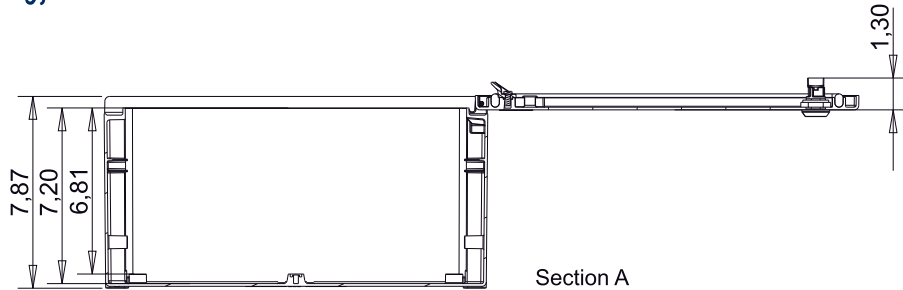
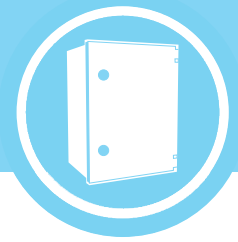
- Boxes & Cabinets made from fiber glass reinforced polyester, moulded by hot compression.
- Colour Light Grey RAL 7035 equivalent PANTONE Solid Coated 420 C.
- Self-extinguishability: 5VA. Halogen free. Double insulation. No electrical contact risks.
- Degree of protection UL/CSA certification: UL Types 1, 4, 4X & 12 and CSA 1, 4, 4X & 12.
- Certification of compliance UL508A & CSA C22.2. Suitable for indoor or outdoor use.
- Large door opening (180°). Version with plain or glazed door. Reversibility for installation right or left door opening.
- Anti-intruder hinges system.
- Customise service: colour, machining, mounting accessories, locks, company logo.
- 1 lock with double-bar insert or 1 lock with 3 action points and vandalism-proof.
- Version with metallic or polyester mounting plate.
- Resistant to harsh atmospheres.
- Light weight gives an easy installation.
- +10 years. Long life lasting without maintenance under standard environmental conditions.

Code	Description	Height x Width x Depth	Weight
BRES-44-UL	Empty standard enclosure colour light grey	15,75 x 15,75 x 7,87 in	9,59 lb
		400 x 400 x 200 mm	4,35 kg



BRES-44-UL

Polyester enclosure 15,75 x 15,75 x 7,87 inches



Packaging

packaging unit	1	packaging height	15,79 in	units per pallet 47,2x31,5 (h86,6)	54
number of doors	1	packaging width	15,79 in	units per pallet 43,3x43,3 (h86,6)	60
weight	9,59 lb	packaging depth	7,93 in	units per pallet 61,0x43,3 (h86,6)	85

Environmental performance

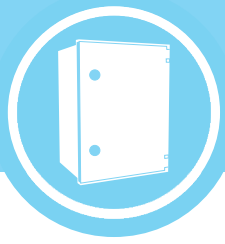
Minimum temperature	-22 °F	Fire test type UL-94	5VA
Maximum temperature	158 °F	IP dust water protection degree UL-50-50E	1,4,4X and 12
Compression resistance	220 lb	IK impact protection degree IEC-62262	10

Electrical performance

Nominal tension direct current up to:	1500 VdC
Nominal tension alternative current up to:	1000 VaC
Maximum power dissipation $\Delta T=104^{\circ}F$ (wall surface)	72,6 W

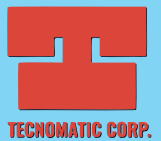
Installation and assembly system

Inside installation	Yes	Wall surface	Yes
Outdoor installation	Yes	Floor mounting	Yes
Flush mounting	No	Pole mounting	Yes



BRES-54-UL

Polyester enclosure 19,69 x 15,75 x 7,87 inches



FEATURES

SafyBox BRES

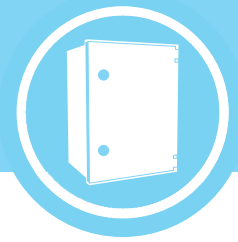
- Boxes & Cabinets made from fiber glass reinforced polyester, moulded by hot compression.
- Colour Light Grey RAL 7035 equivalent PANTONE Solid Coated 420 C.
- Self-extinguishability: 5VA. Halogen free. Double insulation. No electrical contact risks.
- Degree of protection UL/CSA certification: UL Types 1, 4, 4X & 12 and CSA 1, 4, 4X & 12.
- Certification of compliance UL508A & CSA C22.2. Suitable for indoor or outdoor use.
- Large door opening (180°). Version with plain or glazed door. Reversibility for installation right or left door opening.
- Anti-intruder hinges system.
- Customise service: colour, machining, mounting accessories, locks, company logo.
- 1 lock with double-bar insert or 1 lock with 3 action points and vandalism-proof.
- Version with metallic or polyester mounting plate.
- Resistant to harsh atmospheres.
- Light weight gives an easy installation.
- +10 years. Long life lasting without maintenance under standard environmental conditions.

Code	Description	Height x Width x Depth	Weight
BRES-54-UL	Empty standard enclosure colour light grey	19,69 x 15,75 x 7,87 in	11,57 lb
		500 x 400 x 200 mm	5,25 kg

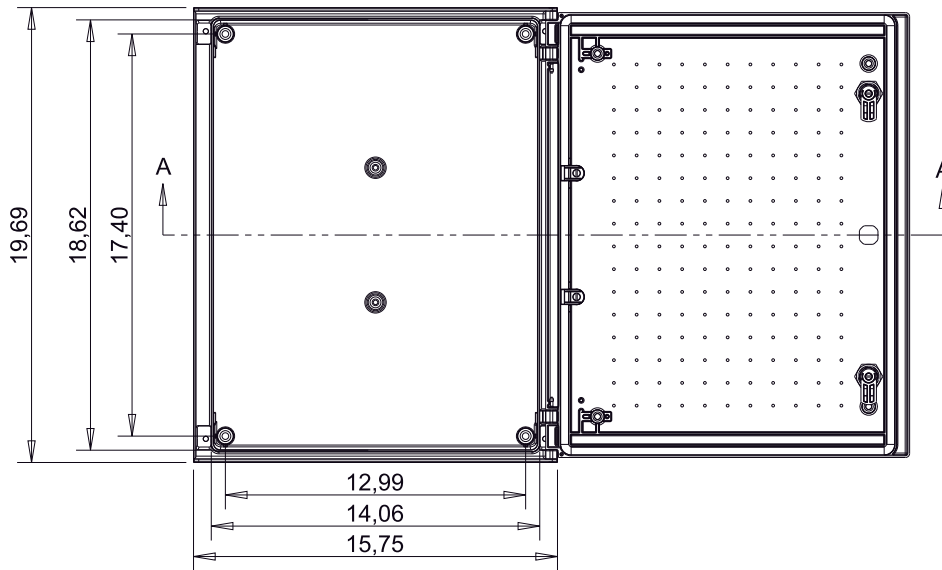
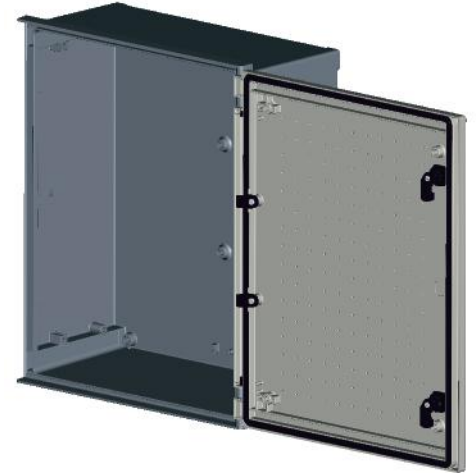
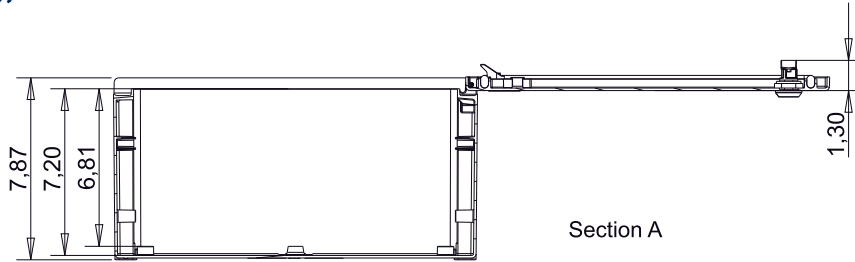


BRES-54-UL

Polyester enclosure 19,69 x 15,75 x 7,87 inches



Standards



Packaging

packaging unit	1	packaging height	19,72 in	units per pallet 47,2x31,5 (h86,6)	44
number of doors	1	packaging width	15,79 in	units per pallet 43,3x43,3 (h86,6)	50
weight	11,57 lb	packaging depth	7,93 in	units per pallet 61,0x44,1 (h86,6)	66

Environmental performance

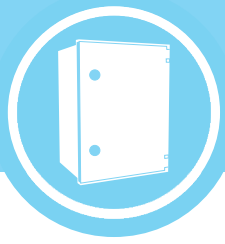
Minimum temperature	-22 °F	Fire test type	UL-94	5VA
Maximum temperature	158 °F	IP dust water protection degree	UL-50-50E	1,4,4X and 12
Compression resistance	220 lb	IK impact protection degree	IEC-62262	10

Electrical performance

Nominal tension direct current up to:	1500 VdC
Nominal tension alternative current up to:	1000 VaC
Maximum power dissipation $\Delta T=104^{\circ}F$ (wall surface)	82,9 W

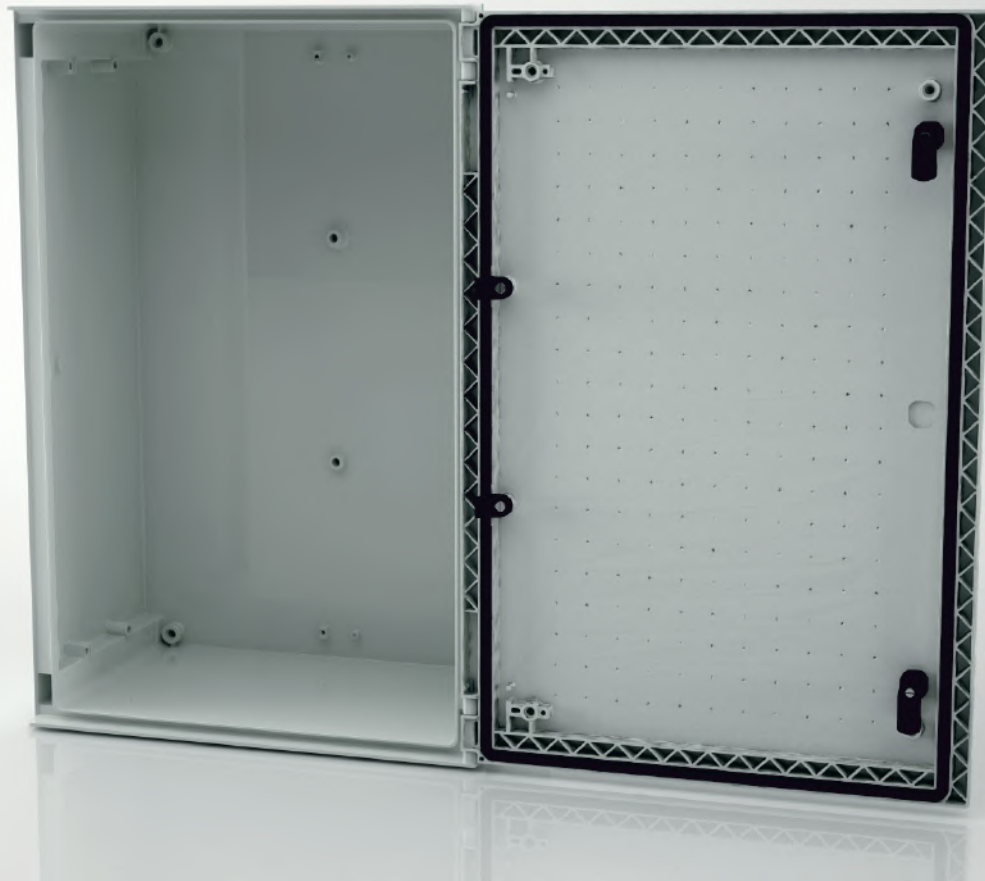
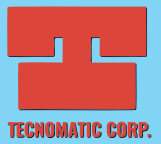
Installation and assembly system

Inside installation	Yes	Wall surface	Yes
Outdoor installation	Yes	Floor mounting	Yes
Flush mounting	No	Pole mounting	Yes



BRES-64-UL

Polyester enclosure 23,62 x 15,75 x 9,06 inches



FEATURES

SafyBox BRES

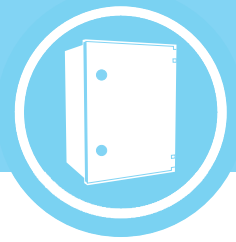
- Boxes & Cabinets made from fiber glass reinforced polyester, moulded by hot compression.
- Colour Light Grey RAL 7035 equivalent PANTONE Solid Coated 420 C.
- Self-extinguishability: 5VA. Halogen free. Double insulation. No electrical contact risks.
- Degree of protection UL/CSA certification: UL Types 1, 4, 4X & 12 and CSA 1, 4, 4X & 12.
- Certification of compliance UL508A & CSA C22.2. Suitable for indoor or outdoor use.
- Large door opening (180°). Version with plain or glazed door. Reversibility for installation right or left door opening.
- Anti-intruder hinges system.
- Customise service: colour, machining, mounting accessories, locks, company logo.
- 1 lock with double-bar insert or 1 lock with 3 action points and vandalism-proof.
- Version with metallic or polyester mounting plate.
- Resistant to harsh atmospheres.
- Light weight gives an easy installation.
- +10 years. Long life lasting without maintenance under standard environmental conditions.

Code	Description	Height x Width x Depth	Weight
BRES-64-UL	Empty standard enclosure colour light grey	23,62 x 15,75 x 9,60 in	15,72 lb
		600 x 400 x 230 mm	7,13 kg

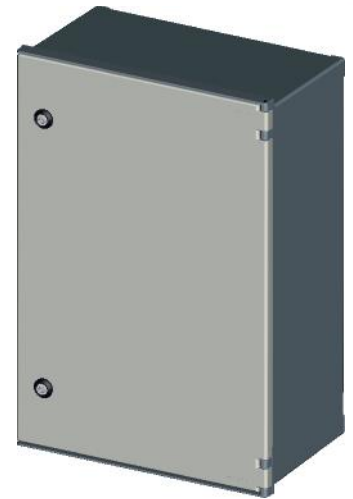
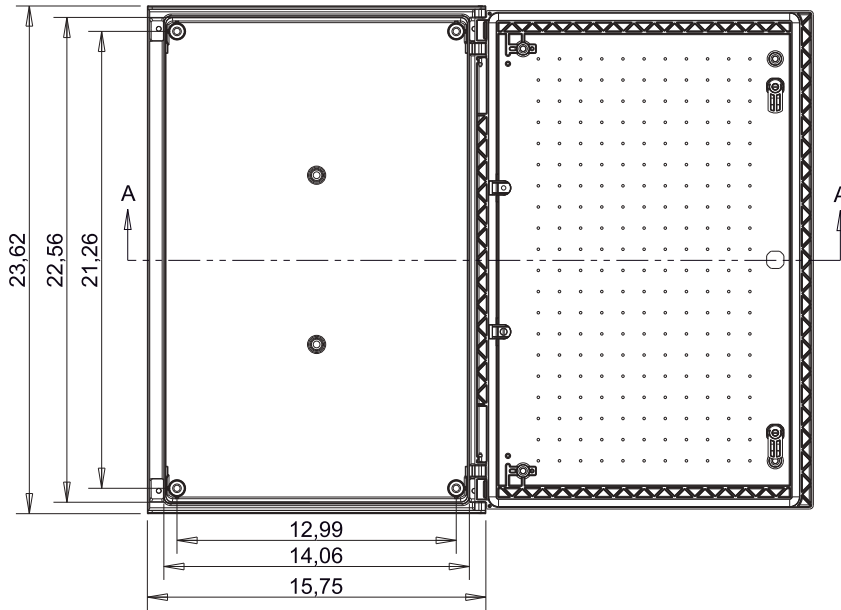
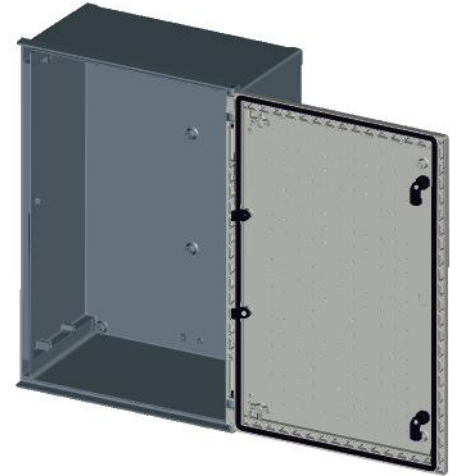
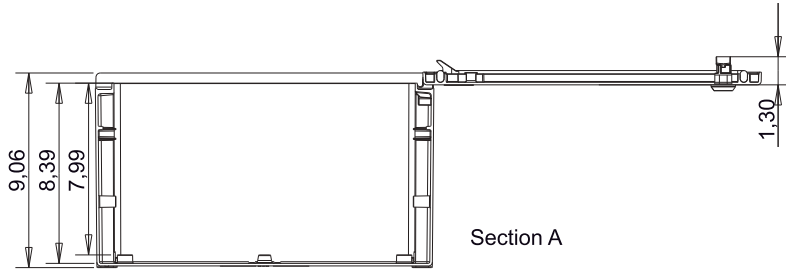


BRES-64-UL

Polyester enclosure 23,62 x 15,75 x 9,06 inches



Standards



Packaging

packaging unit	1	packaging height	23,66 in	units per pallet 47,2x31,5 (h86,6)	32
number of doors	1	packaging width	15,79 in	units per pallet 43,3x43,3 (h86,6)	40
weight	15,72 lb	packaging depth	9,11 in	units per pallet 61,0x43,3 (h86,6)	47

Environmental performance

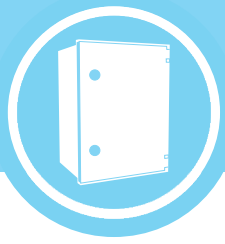
Minimum temperature	-22 °F	Fire test type UL-94	5VA
Maximum temperature	158 °F	IP dust water protection degree UL-50-50E	1,4,4X and 12
Compression resistance	220 lb	IK impact protection degree IEC-62262	10

Electrical performance

Nominal tension direct current up to:	1500 VdC
Nominal tension alternative current up to:	1000 VaC
Maximum power dissipation $\Delta T=104^{\circ}F$ (wall surface)	99,4 W

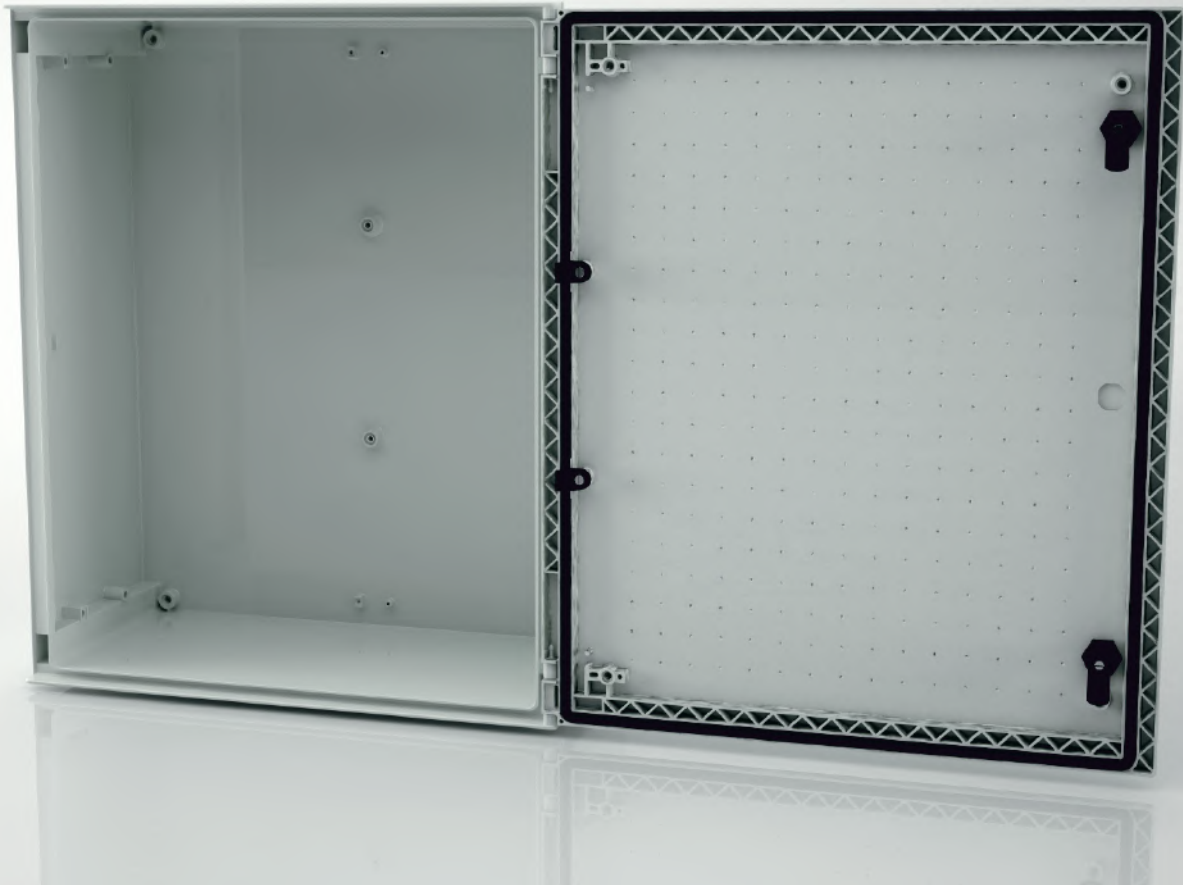
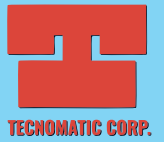
Installation and assembly system

Inside installation	Yes	Wall surface	Yes
Outdoor installation	Yes	Floor mounting	Yes
Flush mounting	No	Pole mounting	Yes



BRES-65-UL

Polyester enclosure 23,62 x 19,69 x 9,06 inches



FEATURES

SafyBox BRES

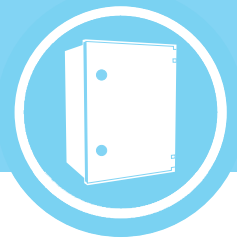
- Boxes & Cabinets made from fiber glass reinforced polyester, moulded by hot compression.
- Colour Light Grey RAL 7035 equivalent PANTONE Solid Coated 420 C.
- Self-extinguishability: 5VA. Halogen free. Double insulation. No electrical contact risks.
- Degree of protection UL/CSA certification: UL Types 1, 4, 4X & 12 and CSA 1, 4, 4X & 12.
- Certification of compliance UL508A & CSA C22.2. Suitable for indoor or outdoor use.
- Large door opening (180°). Version with plain or glazed door. Reversibility for installation right or left door opening.
- Anti-intruder hinges system.
- Customise service: colour, machining, mounting accessories, locks, company logo.
- 1 lock with double-bar insert or 1 lock with 3 action points and vandalism-proof.
- Version with metallic or polyester mounting plate.
- Resistant to harsh atmospheres.
- Light weight gives an easy installation.
- +10 years. Long life lasting without maintenance under standard environmental conditions.

Code	Description	Height x Width x Depth	Weight
BRES-65-UL	Empty standard enclosure colour light grey	23,62 x 19,69 x 9,06 in 600 x 500 x 230 mm	17,48 lb 7,93 kg

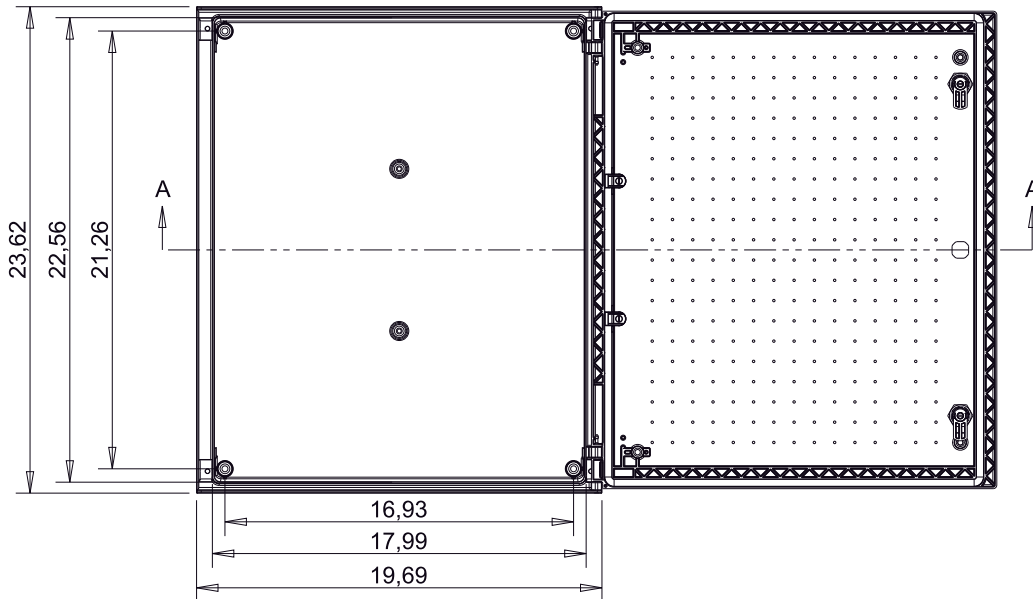
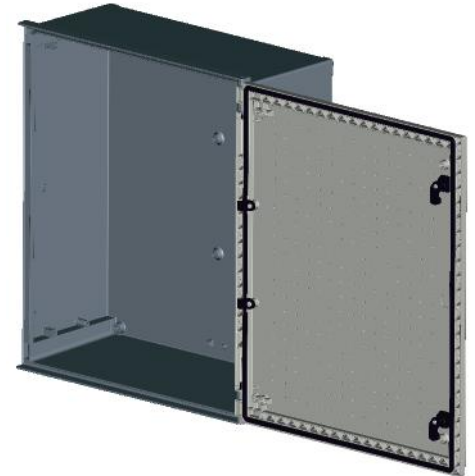
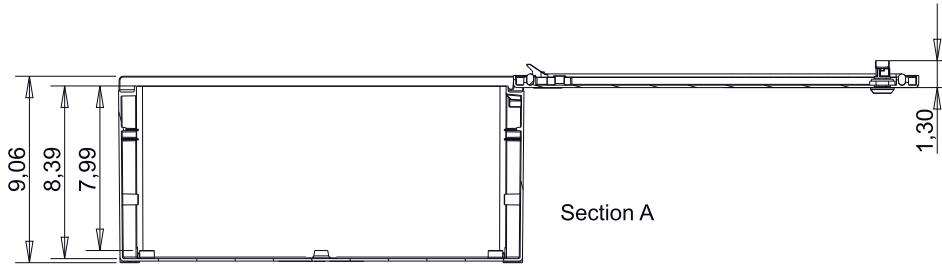


BRES-65-UL

Polyester enclosure 23,62 x 19,69 x 9,06 inches



Standards



Packaging

packaging unit	1	packaging height	23,66 in	units per pallet 47,2x31,5 (h86,6)	24
number of doors	1	packaging width	19,72 in	units per pallet 43,3x43,3 (h86,6)	32
weight	17,48 lb	packaging depth	9,11 in	units per pallet 61,0x48,0 (h86,6)	43

Environmental performance

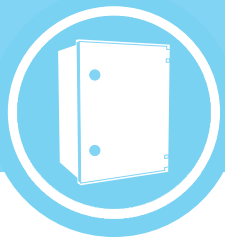
Minimum temperature	-22 °F	Fire test type UL-94	5VA
Maximum temperature	158 °F	IP dust water protection degree UL-50-50E	1,4,4X and 12
Compression resistance	220 lb	IK impact protection degree IEC-62262	10

Electrical performance

Nominal tension direct current up to:	1500 VdC
Nominal tension alternative current up to:	1000 VaC
Maximum power dissipation $\Delta T=104^{\circ}F$ (wall surface)	117,0 W

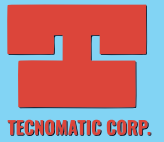
Installation and assembly system

Inside installation	Yes	Wall surface	Yes
Outdoor installation	Yes	Floor mounting	Yes
Flush mounting	No	Pole mounting	Yes



BRES-83-UL

Polyester enclosure 31,50 x 11,81 x 9,06 inches



FEATURES

SafyBox BRES

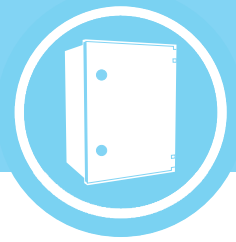
- Boxes & Cabinets made from fiber glass reinforced polyester, moulded by hot compression.
- Colour Light Grey RAL 7035 equivalent PANTONE Solid Coated 420 C.
- Self-extinguishability: 5VA. Halogen free. Double insulation. No electrical contact risks.
- Degree of protection UL/CSA certification: UL Types 1, 4, 4X & 12 and CSA 1, 4, 4X & 12.
- Certification of compliance UL508A & CSA C22.2. Suitable for indoor or outdoor use.
- Large door opening (180°). Version with plain or glazed door. Reversibility for installation right or left door opening.
- Anti-intruder hinges system.
- Customise service: colour, machining, mounting accessories, locks, company logo.
- 1 lock with double-bar insert or 1 lock with 3 action points and vandalism-proof.
- Version with metallic or polyester mounting plate.
- Resistant to harsh atmospheres.
- Light weight gives an easy installation.
- +10 years. Long life lasting without maintenance under standard environmental conditions.

Code	Description	Height x Width x Depth	Weight
BRES-83-UL	Empty standard enclosure colour light grey	31,50 x 11,81 x 9,06 in	14,11 lb
		800 x 300 x 230 mm	6,40 kg

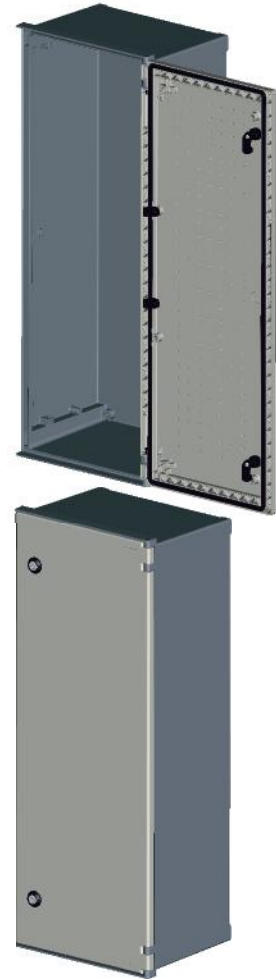
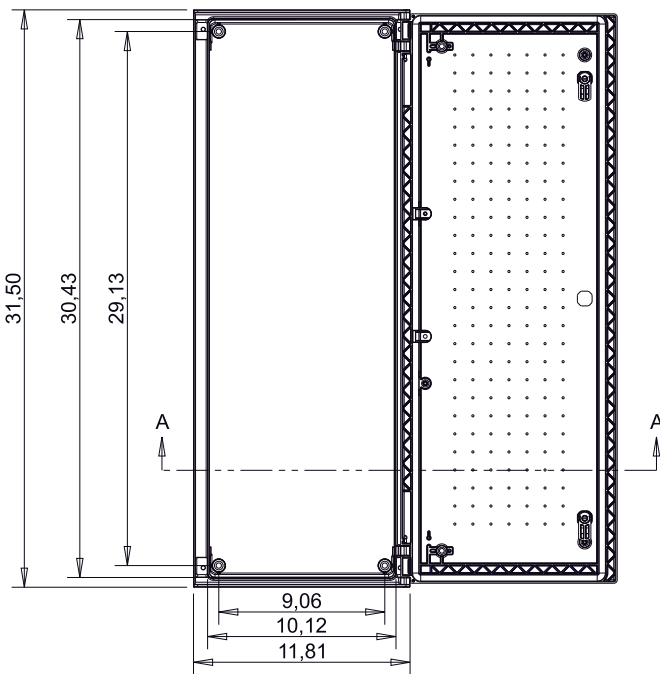
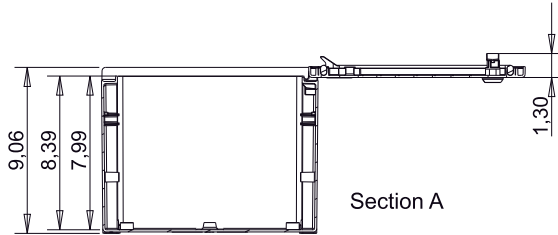


BRES-83-UL

Polyester enclosure 31,50 x 11,81 x 9,06 inches



Standards



Packaging

packaging unit	1	packaging height	31,54 in	units per pallet 47,2x31,5 (h86,6)	24
number of doors	1	packaging width	11,85 in	units per pallet 43,3x43,3 (h86,6)	24
weight	14,11lb	packaging depth	9,11 in	units per pallet 61,0x43,3 (h86,6)	36

Environmental performance

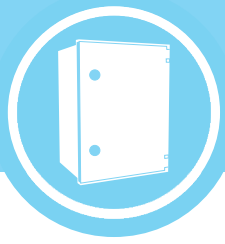
Minimum temperature	-22 °F	Fire test type UL-94	5VA
Maximum temperature	158 °F	IP dust water protection degree UL-50-50E	1,4,4X and 12
Compression resistance	220 lb	IK impact protection degree IEC-62262	10

Electrical performance

Nominal tension direct current up to:	1500 VdC
Nominal tension alternative current up to:	1000 VaC
Maximum power dissipation $\Delta T=104^{\circ}F$ (wall surface)	103,0 W

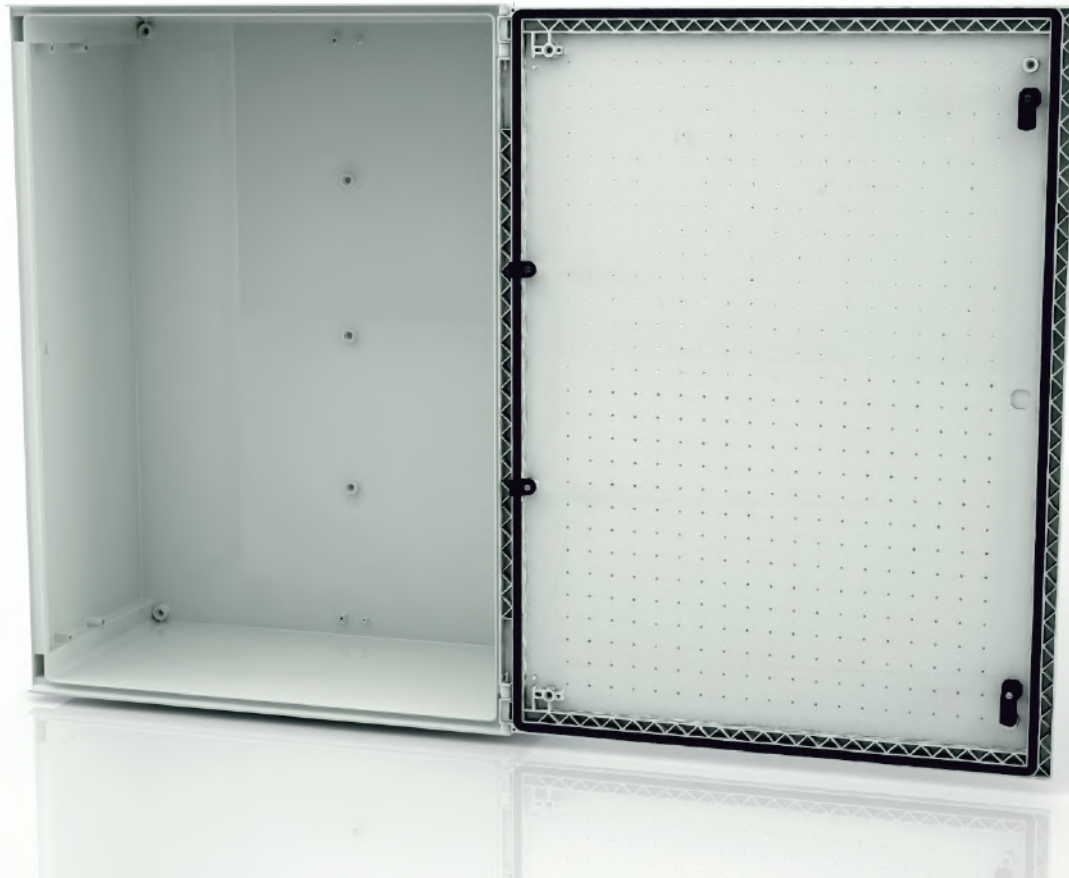
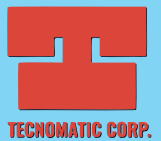
Installation and assembly system

Inside installation	Yes	Wall surface	Yes
Outdoor installation	Yes	Floor mounting	Yes
Flush mounting	No	Pole mounting	Yes



BRES-86-UL

Polyester enclosure 31,50 x 23,62 x 11,81 inches



FEATURES

SafyBox BRES

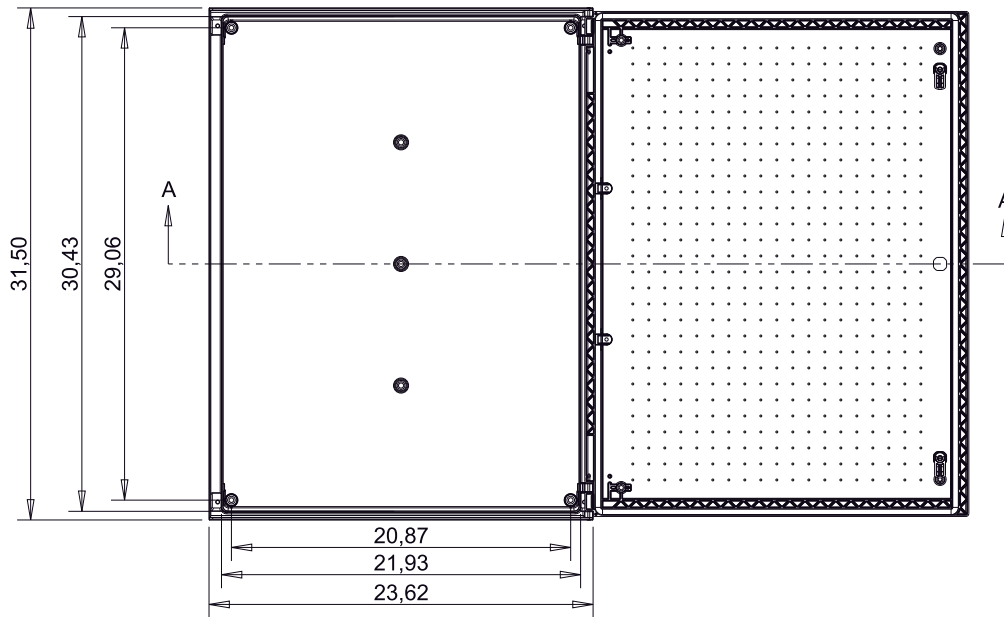
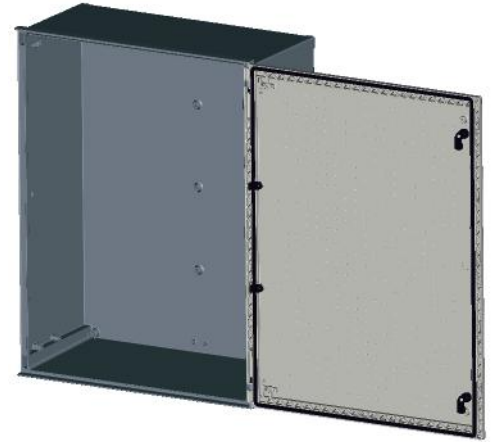
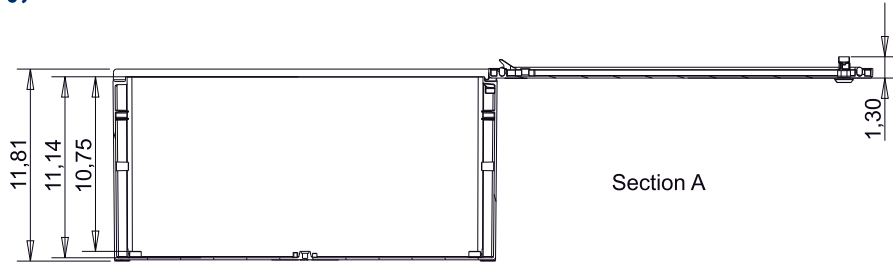
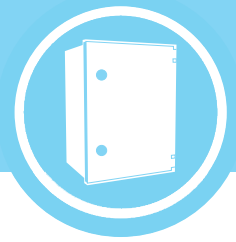
- Boxes & Cabinets made from fiber glass reinforced polyester, moulded by hot compression.
- Colour Light Grey RAL 7035 equivalent PANTONE Solid Coated 420 C.
- Self-extinguishability: 5VA. Halogen free. Double insulation. No electrical contact risks.
- Degree of protection UL/CSA certification: UL Types 1, 4, 4X & 12 and CSA 1, 4, 4X & 12.
- Certification of compliance UL508A & CSA C22.2. Suitable for indoor or outdoor use.
- Large door opening (180°). Version with plain or glazed door. Reversibility for installation right or left door opening.
- Anti-intruder hinges system.
- Customise service: colour, machining, mounting accessories, locks, company logo.
- 1 lock with double-bar insert or 1 lock with 3 action points and vandalism-proof.
- Version with metallic or polyester mounting plate.
- Resistant to harsh atmospheres.
- Light weight gives an easy installation.
- +10 years. Long life lasting without maintenance under standard environmental conditions.

Code	Description	Height x Width x Depth	Weight
BRES-86-UL	Empty standard enclosure colour light grey	31,50 x 23,62 x 11,81 in 800 x 600 x 300 mm	27,89 lb 12,65 kg



BRES-86-UL

Polyester enclosure 31,50 x 23,62 x 11,81 inches



Packaging

packaging unit	1	packaging height	31,54 in	units per pallet 47,2x31,5 (h82,7)	12
number of doors	1	packaging width	23,66 in	units per pallet 43,3x43,3 (h82,7)	12
weight	27,89 lb	packaging depth	11,87 in	units per pallet 63,8x43,3 (h82,7)	18

Environmental performance

Minimum temperature	-22 °F	Fire test type	UL-94	5VA
Maximum temperature	158 °F	IP dust water protection degree	UL-50-50E	1,4,4X and 12
Compression resistance	220 lb	IK impact protection degree	IEC-62262	10

Electrical performance

Nominal tension direct current up to:	1500 VdC
Nominal tension alternative current up to:	1000 VaC
Maximum power dissipation $\Delta T=104^{\circ}F$ (wall surface)	185,0 W

Installation and assembly system

Inside installation	Yes	Wall surface	Yes
Outdoor installation	Yes	Floor mounting	Yes
Flush mounting	No	Pole mounting	Yes